

Sight Glass

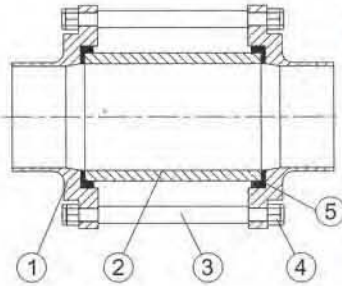
Glass: Clean, High Press Glass. Max Work 10 Bar. Can Be Changeable.

Body: SUS304, 316, 316L Precision Machined Body. With Wide Range Connection

End. 3A DIN, SMS, RJT, IDF, Male/Male. Weld And Female End.

Screw Blot: Full Stainless Steel.

Seal: EPDM, Silicon And Viton.



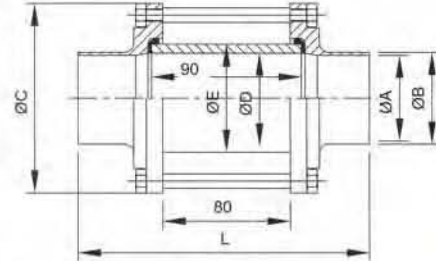
NO.	Name
1	Body
2	High Press Clean Glass
3	Screw Blot
4	Nylon Lock Nut
5	Seal

PYREX Borosilicate Glass Composition

CONTENT	SiO ₂	Al ₂ O ₃	FE ₂ O ₃	B ₂ O ₃	Na ₂ O	K ₂ O
%	80.9	2.3	0.03	12.7	4.0	0.04

Physical Properties

Young's Module	6.4*10 ⁵ kg/cm ³
Poisson's Ratio	0.20
Shear Modules	2.7*10 ⁵ kg/cm ²
Knoop Hardness (100g)	418KHN
Bending Strength	4~7*10 ⁵ kg/cm ²
Design Stress (Safety Factor)	67 kg/cm ²



3A/BS Weld End Sight-Glass

SIZE	ØA	ØB	ØC	ØD	ØE	L
1/2"	9.4	12.7	47	10.2	15	106
3/4"	15.75	19.05	47	17	22	106
1.0"	22.1	25.4	79	26	32	148
1.5"	34.8	38.1	85	34	40	156
2.0"	47.5	50.8	105	50	60	160
2.5"	60.2	63.5	112	65	75	160
3.0"	72.9	76.2	125	75.4	85	162
4.0"	97.6	101.6	157	100	110	167

SMS Weld End Sight-Glass

SIZE	ØA	ØB	ØC	ØD	ØE	L
DN25	22.5	25	79	26	32	148
DN38	35.4	38	85	34	40	156
DN51	48	51	105	50	60	160
DN63.5	60.2	63.5	112	65	75	160
DN76	72	76	125	75.4	85	162
DN104	100	104	157	100	110	168

RJT, SMS, DIN, IDF-Male End Sight Class

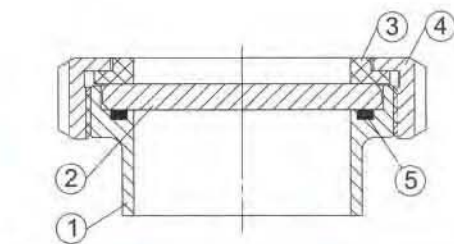
SIZE	L	ØC	ØD	ØE
25	148	79	26	32
38	156	85	34	40
51	160	105	50	60
63.5	160	112	65	75
76	162	125	75.4	85
104	168	157	100	110

3A/BS Clamp End Sight-Glass

SIZE	ØA	ØB	ØC	ØD	ØE	L
1.0"	22.1	50.5	79	26	32	143
1.5"	34.8	50.5	85	34	40	146
2.0"	47.5	64	105	50	60	150
2.5"	60.2	77.5	112	65	75	150
3.0"	72.9	91	125	75.4	85	156
4.0"	97.6	119	157	100	110	156

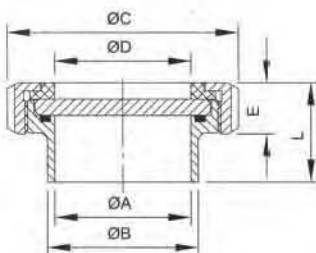
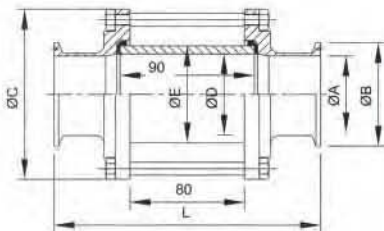
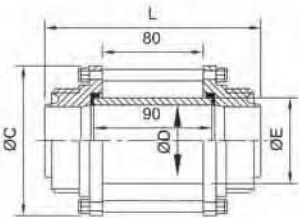
Weld End Sight-Glass

SIZE	ØA	ØB	ØC	ØD	ØE	L
DN65	66	73	112	66	25	48.5
DN80	80	93	127	82	29	52.5
DN100	98	113	148	100	31	60.5



NO.	Name
1	Body
2	High Press Clean Glass
3	Teflon Gasket
4	NUT
5	Seal

With Weld End Only



Strainer Filter (Straight, Angle, Y & Duplex Type)

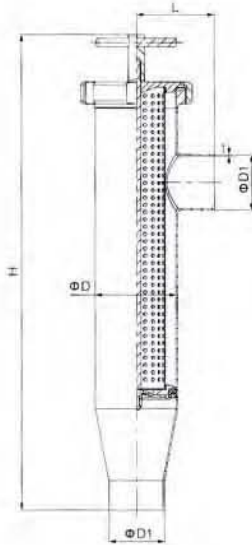


Screen: Metal Mesh

Mesh	B (mm)	Useful Surface (%)
30	0.55	48
40	0.40	46
60	0.30	52.6
80	0.20	42
100	0.15	36.2
165	0.10	45.4

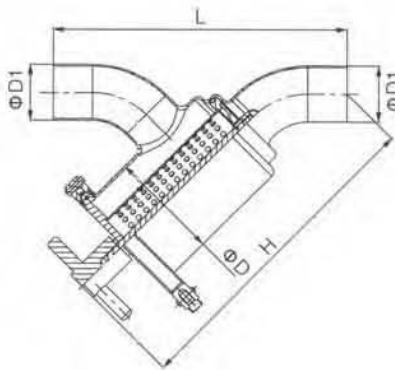
Screen: Perforated Plate

A (mm)	Useful Surface (%)
0.5	15
1	28
1.5	33
2	30
3	33
5	46



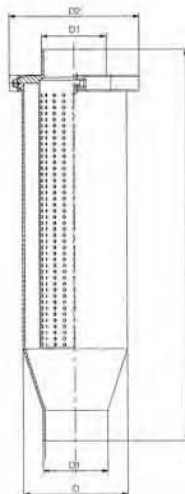
Angle Type Strainer (3A, SMS, ISO, DS)

SIZE	H	L	D1	D
1"	425	77.5	25.4	85
1 1/4"	425	77.5	31.8	85
1 1/2"	425	77.5	38	85
2"	425	77.5	50.8	85
2 1/2"	565	104	63.5	102
3"	585	107	76.2	114
3 1/2"	585	107	89	114
4"	700	127	101.6	154



Y Type Strainer (3A, SMS, ISO, DS)

SIZE	H	L	D1	D
1"	257	204	25.4	85
1 1/4"	288	226	31.8	102
1 1/2"	282	242	38	102
2"	312	280	50.8	102
2 1/2"	390	362	63.5	114
3"	405	406	76.2	114
3 1/2"	405	406	89	114
4"	565	460	101.6	154



Straight Type Strainer (3A, SMS, ISO, DS)

SIZE	H	D2	D1	D
1"	425	106	25.4	85
1 1/4"	425	106	31.8	85
1 1/2"	425	106	38	85
2"	425	106	50.8	85
2 1/2"	500	119	63.5	102
3"	580	130	76.2	114
3 1/2"	580	130	89	114
4"	640	167	101.6	154



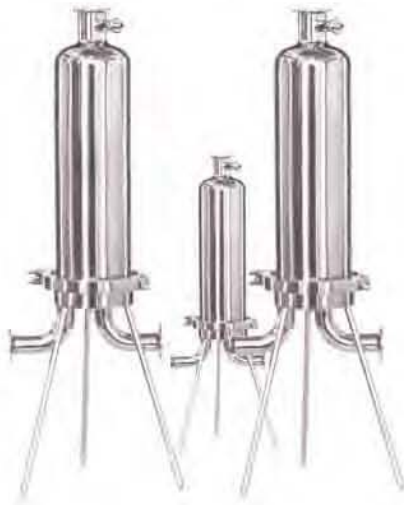
Duplex Filter

Applications

- This duplex filters is applied to eliminate the invisible solids from dairy, beverage and pulps, etc. So as to purify the liquids.
- The two filters can run alternatively and continually. Because they can be replaced or cleaned without powering off.

Operating Principles

- Cartridge: AISI304/ AISI316L
- Gasket: EPDM according to FDA 177.2600
- Inner surface polish: Ra<0.8um
- External surface polish: mirror polish
- Screen hole: 0.5mm - 2.0mm
- Screen: 30 - 300 meshes
- Size: DN 25 - DN 150/ 1" - 6"
- Working temperature: -10°C to 120°C (EPDM) 14° F to 248° F
+140°C (SIP, max. 30 min) 284° F
- Max.working pressure: 10 bar 145 PSI



Micro-Filter

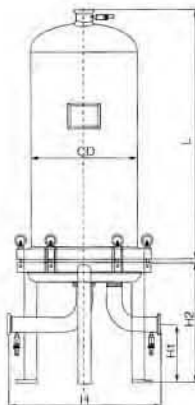
Applications

- Filters are widely used in the auxiliary service for food processing, cosmetic, chemicals and pharmacy industries

Technical Specifications

- Users should configure different material and type of filter for different purpose and medium. For example, for GMP pharment industry, before inputting air, this filter can annihilat the bacteria; in addition, it can dispose the exhaust till the gas reaches HIM standard.
- Materials for filter: PP/PTFECN-CA
- Presicion : 0.1-60um
- Length: 10",20",30",40" (250, 500, 750, 1000mm)
- Pressure resistance: plugged (222, 226) / flat nib style

Seven Cores Filter



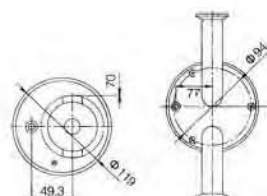
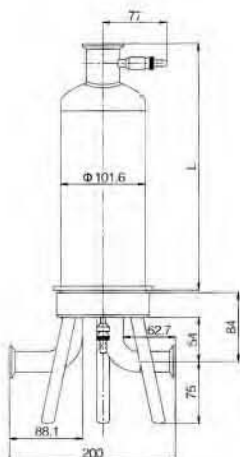
HEIGHT SIZE	L	OD	H	H1	H2	CONNECTION OF FILTER CORE
10"	380	273	390	150	310	226 (222)
20"	630	273	390	150	310	226 (222)
30"	880	273	390	150	310	226 (222)
40"	1130	273	390	150	310	226 (222)

Five Cores Filter

HEIGHT SIZE	L	OD	H	H1	H2	CONNECTION OF FILTER CORE
10"	380	219	335	150	310	226 (222)
20"	630	219	335	150	310	226 (222)
30"	880	219	335	150	310	226 (222)
40"	1130	219	335	150	310	226 (222)

Three Cores Filter

HEIGHT SIZE	L	OD	H	H1	H2	CONNECTION OF FILTER CORE
10"	380	200	300	150	290	226 (222)
20"	630	200	300	150	290	226 (222)
30"	880	200	300	150	290	226 (222)
40"	1130	200	300	150	290	226 (222)



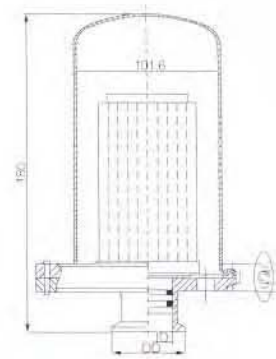
Single Cores Filter

HEIGHT SIZE	L	CONNECTION OF FILTER CORE
5"	233 (185)	226 (7#)
10"	360	226 (7#)
20"	614	226 (7#)
30"	868	226 (7#)

Rebreather

Applications

- The principle is same as mirco-filter's. It can prevent the outside partivulates coming into the storage tannk due to the liquid level descends. It ensures the air purity in the tank.
- Housing material: 316L/ 304.
- Inner surface polish: Ra < 0.2um
- Capacity: 0.75m³ / min, 1.5m³ / min, 3m³ / min
- Connection ends: Clamped. Flanged



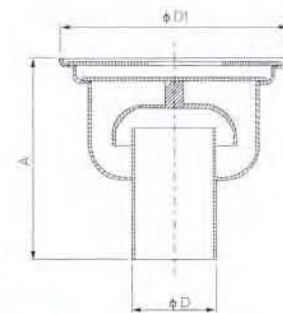
SIZE	ID	OD
1"	22	50.5
1 1/4"	29	50.5
1.5"	35	50.5
2"	48	64



Drainer

Applications

- The drainer is used in the hygienic workshops of food Processing, pharmacy industries.
- Material: AISI304/ 316L
- Size: 1" - 4", DN25 - DN100
- Metal meshes and hopper can keep dirty particulates from blocking pipeline.
- Cover and hopper can be cleaned to prevent bacteria from propagating.



SIZE	A	D	D1
1"	80	25	130
1.5"	80	38	130
2"	100	51	195
2.5"	100	63	195
3"	130	76	230
4"	130	100	230

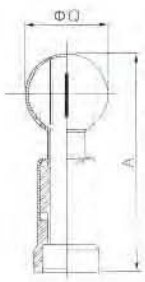
Cleaning Ball

• Cleaner series products are mainly used to spray strongly an clean inside of tank, generally, in field of food - processing beverage, beer, pharmaceutical industries.

Cleaning ball is divided into three kinds of products:

- Fixed cleaning ball: 360 degree spray completely, 180 degree spray, aperture of spray is 2.5mm
- Rotary cleaning ball: ball is spherical and elliptical. Jet orifice looks flat slot shape
- Potary cleaner: multi - position spray. When working the spray outlets rotate

Rotary Spray Ball

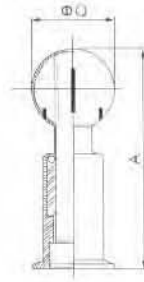


Threaded

SIZE	A	Q
1"	140.0	53.0
1 1/4"	160.0	53.0
1 1/2"	170.0	63.0
2"	192.0	76.0
2 1/2"	220.0	910.0

Technical parameter

SIZE	Pressure (bar)	Cleaning radius (m)	Fluxation m ³ /h
1"~1.5"	2	1.25	12
2"	2	1.5	38
2.5"	2	2.0	38

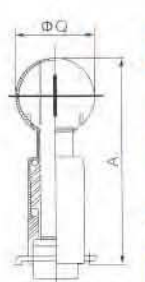


Clamped

SIZE	A	Q
1"	138.0	53.0
1 1/4"	138.0	53.0
1 1/2"	138.0	53.0
2"	168.0	63.0
2 1/2"	190.0	76.0

Technical parameter

SIZE	Pressure (bar)	Cleaning radius (m)	Fluxation m ³ /h
1"~1.5"	2	1.25	12
2"	2	1.5	38
2.5"	2	2.0	38

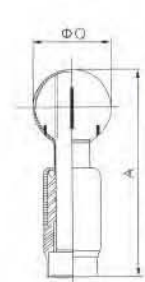


Bolted

SIZE	A	Q
1"	135.0	53.0
1 1/4"	137.0	53.0
1 1/2"	137.0	53.0
2"	168.0	63.0
2 1/2"	190.0	76.0

Technical parameter

SIZE	Pressure (bar)	Cleaning radius (m)	Fluxation m ³ /h
1"~1.5"	2	1.25	12
2"	2	1.5	38
2.5"	2	2.0	38



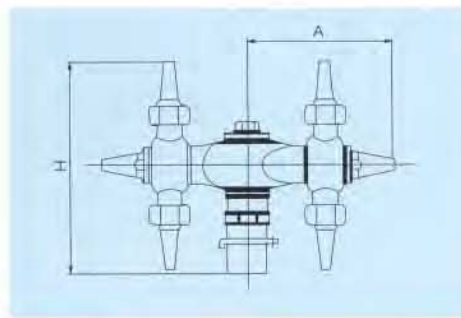
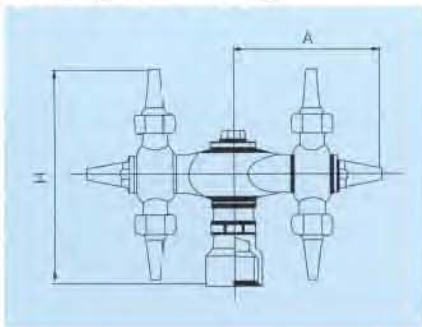
Welded

SIZE	A	Q
1"	143.0	53.0
1 1/4"	145.0	53.0
1 1/2"	145.0	53.0
2"	180.0	63.0
2 1/2"	200.0	76.0

Technical parameter

SIZE	Pressure (bar)	Cleaning radius (m)	Fluxation m ³ /h
1"~1.5"	2	1.25	12
2"	2	1.5	38
2.5"	2	2.0	38

Rotary Cleaning



Threaded

SIZE	A	H	Pressure (bar)	Cleaning radius (m)	Fluxation m ³ /h
1"	118.0	165.0	1.5~2.0	2.0~3.0	23
1 1/4"~1 1/2"	142.0	189.0	1.8~2.5	2.5~3.0	38
2"	145.0	191.0	2.5~3.0	3.5~4.0	60

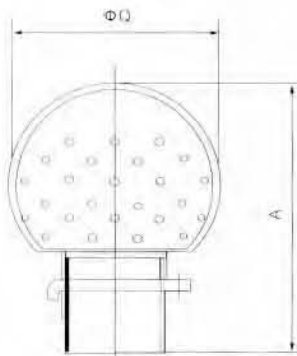
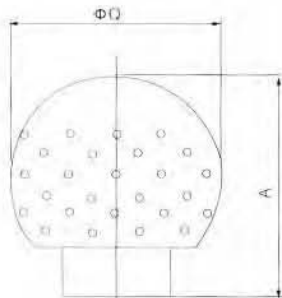
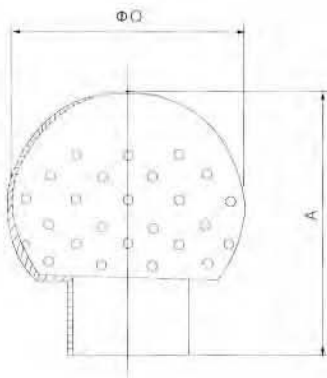
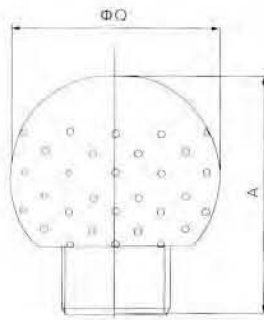
Technical parameter

Bolted

SIZE	A	H	Pressure (bar)	Cleaning radius (m)	Fluxation m ³ /h
1"	118.0	175.0	1.5~2.0	2.0~3.0	
1 1/4"~1 1/2"	142.0	200.0	1.8~2.5	2.5~3.0	
2"	145.0	205.0	2.5~3.0	3.5~4.0	

Technical parameter

Static Spray Ball



Threaded

SIZE	A	Q
1"	72.0	63.0
1 1/2"	85.0	76.0
2"	87.0	76.0
2 1/2"	102.0	91.0

Technical parameter

SIZE	Pressure (bar)	Cleaning radius (m)	360° / 180° Fluxation m ³ / h
1"	2.5	1.0~1.25	17/10
1 1/4"~1 1/2"	2.5	1.25~1.75	23/17
2"	3.5	2.0~3.0	55/38
2 1/2"	3.5	3.0~3.5	58/41

Welded

SIZE	A	Q
1"	72.0	53.0
1 1/2"	85.0	63.0
2"	87.0	91.0
2 1/2"	102.0	100.0

Technical parameter

SIZE	Pressure (bar)	Cleaning radius (m)	360° / 180° Fluxation m ³ / h
1"	2.5	1.0~1.25	17/10
1 1/4"~1 1/2"	2.5	1.25~1.75	23/17
2"	3.5	2.0~3.0	55/38
2 1/2"	3.5	3.0~3.5	58/41

Clamped

SIZE	A	Q
1"	80.0	63.0
1 1/4"	93.0	76.0
1 1/2"	93.0	76.0
12"	108.0	91.0
2 1/2"	115.0	100.0

Technical parameter

SIZE	Pressure (bar)	Cleaning radius (m)	360° / 180° Fluxation m ³ / h
1"	2.5	1.0~1.25	17/10
1 1/4"~1 1/2"	2.5	1.25~1.75	23/17
2"	3.5	2.0~3.0	55/38
2 1/2"	3.5	3.0~3.5	58/41

Bolted

SIZE	A	Q
1"	85.0	63.0
1 1/2"	110.0	76.0
2"	125.0	91.0
2 1/2"	135.0	100.0

Technical parameter

SIZE	Pressure (bar)	Cleaning radius (m)	360° / 180° Fluxation m ³ / h
1"	2.5	1.0~1.25	17/10
1 1/4"~1 1/2"	2.5	1.25~1.75	23/17
2"	3.5	2.0~3.0	55/38
2 1/2"	3.5	3.0~3.5	58/41